

QSDC-8000-8400-20

8~8.4GHz, 20W

Features:

- * Broadband
- * Low Insertion Loss

Applications:

- * Amplifiers
- * Transmitter
- * Laboratory Test
- * Radar

Electrical

Frequency:	8~8.4GHz
Insertion Loss:	1dB max.
Coupling:	10±1dB, 20±1dB
Directivity:	12dB min.
VSWR:	1.6 max.
Average Power:	20W max.
Impedance:	50Ω

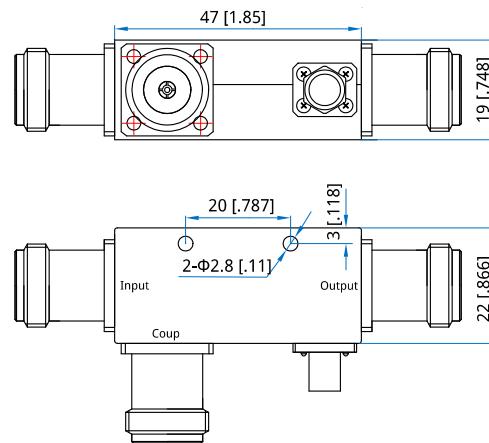
Mechanical

Size*1:	47*22*19mm 1.85*0.866*0.748in
Connectors:	N Female
Mounting:	2-Φ2.8mm through-hole

[1] Exclude connectors and terminations.

Environmental

Temperature:	-20~+70°C
--------------	-----------

Outline Drawings


Unit: mm [in]

Tolerance: ±0.5mm [±0.02in]

How To Order

QSDC-8000-8400-20-X-Y

X: Coupling: 10, 20

Y: Connector type

Connector naming rules:

N - N Female

Examples:

To order a single directional coupler, 8~8.4GHz, 20W, 10dB, N, specify QSDC-8000-8400-20-10-N.

Customization is available upon request.